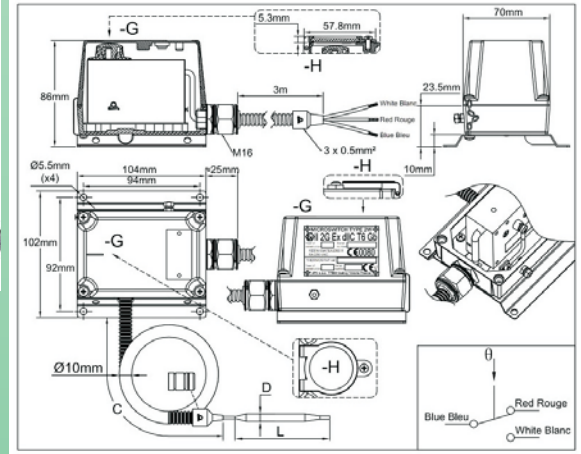
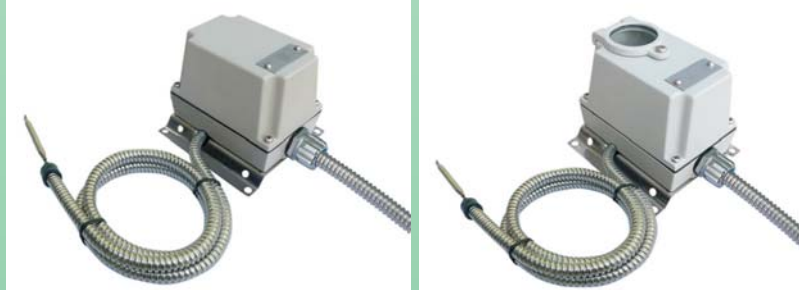




# Explosion proof thermostats with IP54 aluminum enclosure, cable output

## Bulb and capillary thermostat, SPDT, 5A 250V, cable connection

Electrical connection	Set point adjustment	Sensing element	Action	Contact Rating 230V	T° range min and max limits	Types
Cable	Printed knob	Bulb and capillary	Control	SPDT 5A	-35 to +320 °C	Y90-G Y90-H



### General rules for installation:

This thermostat uses a flameproof micro-switch type Ex II2G (Ex IIIC T6 Gb). It is installed in a waterproof aluminum enclosure with an ingress protection class IP54, grey epoxy painted RAL 7032, fitted with a built in electrical connection cable. It is not allowed to make electrical connections inside this aluminum enclosure. Electrical connection at the end of this cable must be made inside an increased safety "e" junction box complying with the standard EN60079-7, or outside hazardous area. Aluminum enclosure earthing is mandatory.

**Two versions:** with internal adjustment requiring opening the cover, or with a window and internal adjustment access without removing the cover.

**Housing:** aluminum with wall mounting plate in stainless steel.

**Dimensions:** 104 x 102 x 86 mm without window, 104 x 102 x 91.3mm with window

**Bulb and capillary:** Copper for ranges up to 50 °C. Stainless steel for ranges above. Capillary length 1500mm or 3000mm. Minimum bending radius of 5 mm.

**Temperature sensing element:** liquid expansion, based on hydrocarbon oils. Side outlet capillary, protected by flexible metal stainless steel sheath.

**Electrical connection:** by H05VVf style cable, 3x 0.5 mm<sup>2</sup>, length 3 meters, protected by corrugated flexible stainless steel sheath. Other lengths on request : 0.3m, 1m, 2m, 10m

**Setting:** by knob graduated in °C. Version with ° F printing on request. The adjustment shaft is in a separate area of the electrical contact area, so the adjustment is possible when power is on.

**Mounting:** by wall plate, 4 holes dia.5.5mm, 94mm x 92mm axis distance.

**Contacts:** SPDT (snap action contact)

**Electrical rating:** Suitable for remote control of relay coils or PLCs circuits.

Voltage	Max rating (A)	Switch Electrical life
250VAC	5	6000
125VAC	5	6000
0-15VDC	5	50000
15-30VDC	1	50000

We do not recommend use on circuits of less than 800mW

**Mechanical life:** > 500.000 cycles

**Atex approval:** Kema 03ATEX2360X ; T6 ; Ta -20+40.

### Main references with 3 meter cable

Internal adjustment	Window adjustment	Temperature range (°C)	Capillary length (mm)	Bulb diameter (mm)	Bulb length (mm)	Differential (°C)	Max temperature on bulb (°C)
Y90KWA-2502522CG	Y90KWA-2502522CH	-25+25*	1500	6.4	152	3+/-2	50
Y90KWA-1001522CG	Y90KWA-1001522CH	-10+15*	1500	6.4	152	3+/-2	50
Y90KWA00005020CG	Y90KWA00005020CH	0-50*	1500	6.4	152	3+/-2	60
Y90KWA00007052CG	Y90KWA00007052CH	0-70	1500	4.8	120	5+/-3	160
Y90KWA00007012CG	Y90KWA00007012CH	0-70	3000	4.8	120	5+/-3	160
Y90KWA02009050CG	Y90KWA02009050CH	20-90	1500	4.8	120	5+/-3	160
Y90KWA02009010CG	Y90KWA02009010CH	20-90	3000	4.8	120	5+/-3	160
Y90KWA01015050CG	Y90KWA01015050CH	10-150	1500	4.8	120	5+/-3	160
Y90KWA01015010CG	Y90KWA01015010CH	10-150	3000	4.8	120	5+/-3	160
Y90KWA08020001CG	Y90KWA08020001CH	80-200	1500	4	100	10+/-4	320
Y90KWA05030001CG	Y90KWA05030001CH	50-300	1500	4	100	10+/-4	320

\*The filling liquid of these thermostatic assemblies has a freezing temperature below -40 °C. However it is important to protect the bulb and /or the capillary against the risk of freezing if a temperature below -35 °C can be reached in operation. Minimum acceptable temperature on enclosure: -20 °C.

Screw adjustment versions : replace Y90KWA\*\*\*\*\* by Y90KW\*\*\*\*\*

Pockets and other accessories, see last section of this catalogue.

Unless exceptionally specified by this logo, products and components in this catalogue are made by Ultimheat alliance members.

Because of permanent improvement of our products, drawings, descriptions, features used on these data sheets are for guidance only and can be modified without prior advice

